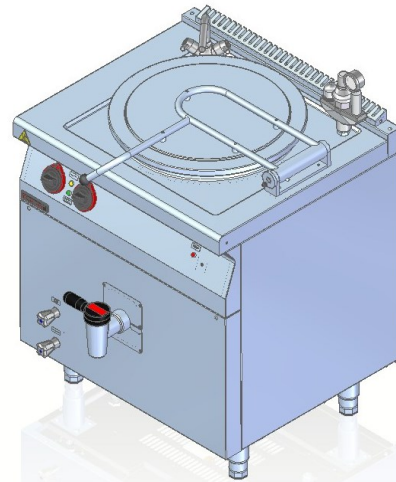


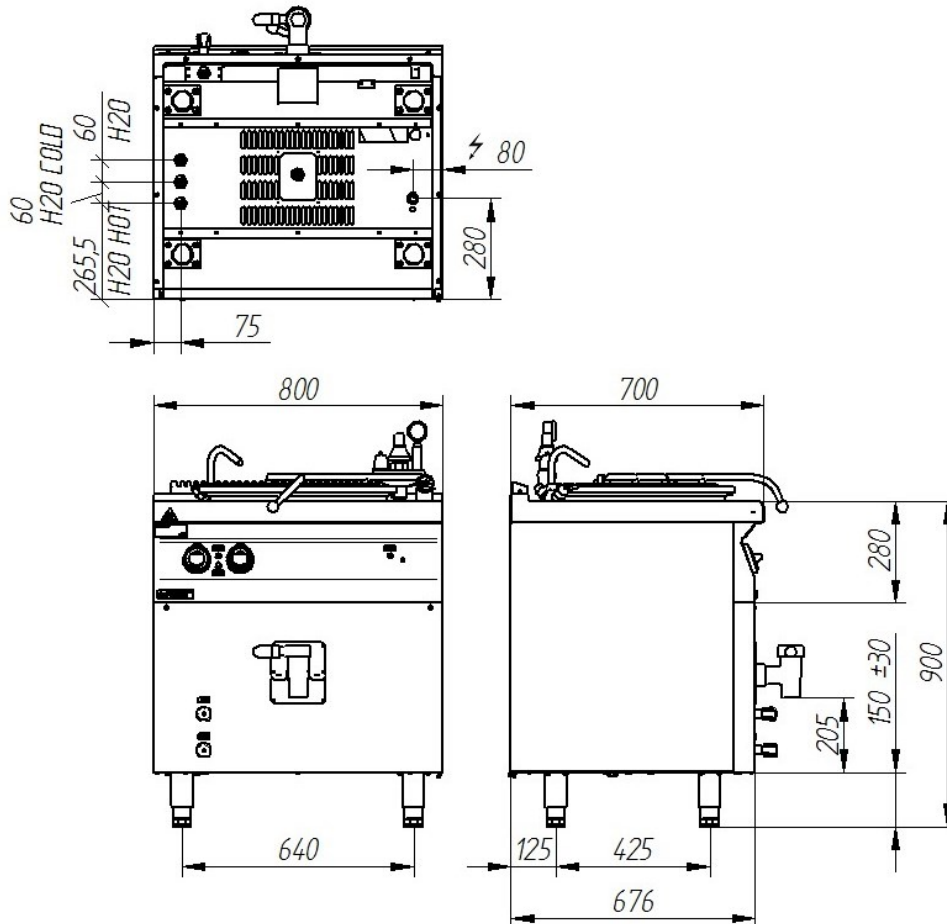
Model:	700.BEK-80	800x700x900 [mm]
Power rating		12.5 kW
Working capacity		80 dm ³
Drain valve		1 1/2"
Rated voltage, type of current		400V 3N~
Water connection		G1/2"
Max. working pressure:		0.5 bar



Description:

Electric boiling pans are made of high-grade stainless steels. Working plate made of AISI 304 stainless steel with thickness ≠ 1.5mm, tank bottom made of polished AISI 316L stainless steel. Indirect heating system prevents burning of foods being prepared. Large drain valve allows for fast pouring of soups to other vessels. The device is fitted with safety valve.

700.BEK-80



The picture is for reference only; final product may be slightly different from the presented example.