

Magistar Combi DI Electric Combi Oven 10GN1/1

ITEM # _____

MODEL # _____

NAME # _____

SIS # _____

AIA # _____



218912 (ZCOE101C2C0)

Magistar Combi DI combi boilerless oven with digital control, 10x1/1GN, electric, programmable, automatic cleaning

218922 (ZCOE101C2A0)

Magistar Combi DI combi boilerless oven with digital control, 10x1/1GN, electric, programmable, automatic cleaning

Short Form Specification

Item No. _____

- Combi oven with digital interface with guided selection.
- Boilerless steaming function to add and retain moisture.
 - AirFlow air distribution system to achieve maximum performance with 5 fan speed levels.
 - HP Automatic Cleaning: Automatic and built-in self cleaning system. 5 automatic cycles (soft, medium, strong, extra strong, rinse-only).
 - Cooking modes: Programs (a maximum of 100 recipes can be stored); Manual; EcoDelta cooking cycle.
 - Automatic backup mode to avoid downtime.
 - USB port to download HACCP data, programs and settings. Connectivity ready.
 - Single sensor core temperature probe.
 - Double-glass door with LED lights.
 - Stainless steel construction throughout.
 - Supplied with n.1 tray rack 1/1 GN, 67 mm pitch.

Main Features

- Digital interface with LED backlight buttons with guided selection.
- Boilerless steaming function to add and retain moisture for high quality, consistent cooking results.
- Dry hot convection cycle (max 300 °C) ideal for low humidity cooking. Automatic moistener (11 settings) for boiler-less steam generation.
- EcoDelta cooking: cooking with food probe maintaining preset temperature difference between the core of the food and the cooking chamber.
- Programs mode: a maximum of 100 recipes can be stored in the oven's memory, to recreate the exact same recipe at any time. 4-step cooking programs also available.
- AirFlow air distribution system to achieve maximum performance in chilling/heating evenness and temperature control thanks to a special design of the chamber combined with high precision variable speed fan.
- Fan with 5 speed levels from 300 to 1500 RPM and reverse rotation for optimal evenness. Fan stops in less than 5 seconds when door is opened.
- Single sensor core temperature probe included.
- Automatic fast cool down and pre-heat function.
- HP Automatic Cleaning: Automatic and built-in self cleaning system. 5 automatic cycles (soft, medium, strong, extra strong, rinse-only).
- Grease Collector: predisposed for integrated grease drain and collection for safer operation (dedicated base as optional accessory).
- USB port to download HACCP data, share cooking programs and configurations. USB port also allows to plug-in sous-vide probe (optional accessory).
- Connectivity ready for real time access to connected appliances from remote and HACCP monitoring (requires optional accessory).
- Back-up mode with self-diagnosis is automatically activated if a failure occurs to avoid downtime.
- 2 different chemical options available: solid and liquid (requires optional accessory).

Construction

- Double thermo-glazed door with open frame construction, for cool outside door panel. Swing hinged easy-release inner glass on door for easy cleaning.
- Seamless hygienic internal chamber with all rounded corners for easy cleaning.
- 304 AISI stainless steel construction throughout.
- Front access to control board for easy service.
- IPX 5 spray water protection certification for easy cleaning.
- Supplied with n.1 tray rack 1/1 GN, 67 mm pitch.

Optional Accessories

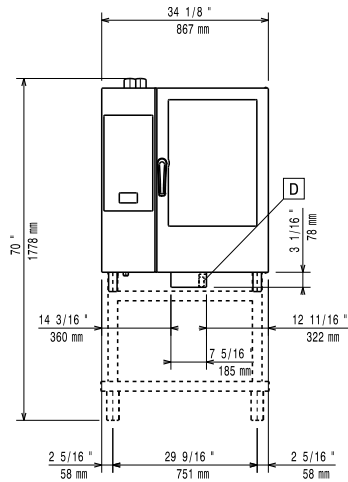
- Water softener with cartridge and flow meter for 6 & 10 GN 1/1 ovens (low-medium steam usage - less than 2hrs per day full steam) PNC 920002
- Water softener with cartridge and flow meter (high steam usage) PNC 920003

APPROVAL: _____

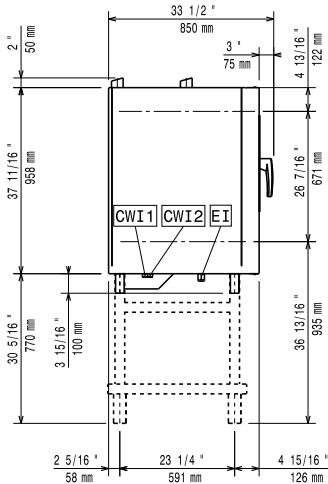
- Water softener with salt for ovens with automatic regeneration of resin PNC 921305 ☐
- Resin sanitizer for water softener (921305) PNC 921306 ☐
- Wheel kit for 6 & 10 GN 1/1 and 2/1 GN oven base (not for the disassembled one) PNC 922003 ☐
- Pair of AISI 304 stainless steel grids, GN 1/1 PNC 922017 ☐
- Pair of grids for whole chicken (8 per grid - 1,2kg each), GN 1/1 PNC 922036 ☐
- AISI 304 stainless steel grid, GN 1/1 PNC 922062 ☐
- Grid for whole chicken (4 per grid - 1,2kg each), GN 1/2 PNC 922086 ☐
- External side spray unit (needs to be mounted outside and includes support to be mounted on the oven) PNC 922171 ☐
- Baking tray for 5 baguettes in perforated aluminum with silicon coating, 400x600x38mm PNC 922189 ☐
- Baking tray with 4 edges in perforated aluminum, 400x600x20mm PNC 922190 ☐
- Baking tray with 4 edges in aluminum, 400x600x20mm PNC 922191 ☐
- Pair of frying baskets PNC 922239 ☐
- AISI 304 stainless steel bakery/pastry grid 400x600mm PNC 922264 ☐
- Double-step door opening kit PNC 922265 ☐
- Grid for whole chicken (8 per grid - 1,2kg each), GN 1/1 PNC 922266 ☐
- Grease collection tray, GN 1/1, H=100 mm PNC 922321 ☐
- Kit universal skewer rack and 4 long skewers for GN 1/1 ovens PNC 922324 ☐
- Universal skewer rack PNC 922326 ☐
- 4 long skewers PNC 922327 ☐
- Water nanofilter for 6 & 10 GN 1/1 ovens PNC 922342 ☐
- External reverse osmosis filter for 6 & 10 GN 1/1 ovens PNC 922343 ☐
- Multipurpose hook PNC 922348 ☐
- 4 flanged feet for 6 & 10 GN , 2", 100-130mm PNC 922351 ☐
- Grid for whole duck (8 per grid - 1,8kg each), GN 1/1 PNC 922362 ☐
- Thermal cover for 10 GN 1/1 oven and blast chiller freezer PNC 922364 ☐
- Tray support for 6 & 10 GN 1/1 disassembled open base PNC 922382 ☐
- Wall mounted detergent tank holder PNC 922386 ☐
- Tray rack with wheels, 10 GN 1/1, 65mm pitch PNC 922601 ☐
- Tray rack with wheels 8 GN 1/1, 80mm pitch PNC 922602 ☐
- Bakery/pastry tray rack with wheels 400x600mm for 10 GN 1/1 oven and blast chiller freezer, 80mm pitch (8 runners) PNC 922608 ☐
- Slide-in rack with handle for 6 & 10 GN 1/1 oven PNC 922610 ☐
- Open base with tray support for 6 & 10 GN 1/1 oven PNC 922612 ☐
- Cupboard base with tray support for 6 & 10 GN 1/1 oven PNC 922614 ☐
- Hot cupboard base with tray support for 6 & 10 GN 1/1 oven holding GN 1/1 or 400x600mm PNC 922615 ☐
- Grease collection kit for GN 1/1-2/1 cupboard base (trolley with 2 tanks, open/close device and drain) PNC 922619 ☐
- Stacking kit for electric 6+6 GN 1/1 ovens or electric 6+10 GN 1/1 GN ovens PNC 922620 ☐
- Trolley for slide-in rack for 6 & 10 GN 1/1 oven and blast chiller freezer PNC 922626 ☐
- Trolley for mobile rack for 6 GN 1/1 on 6 or 10 GN 1/1 ovens PNC 922630 ☐
- Stainless steel drain kit for 6 & 10 GN oven, dia=50mm PNC 922636 ☐
- Plastic drain kit for 6 & 10 GN oven, dia=50mm PNC 922637 ☐
- Trolley with 2 tanks for grease collection PNC 922638 ☐
- Grease collection kit for open base (2 tanks, open/close device and drain) PNC 922639 ☐
- Wall support for 10 GN 1/1 oven PNC 922645 ☐
- Banquet rack with wheels holding 30 plates for 10 GN 1/1 oven and blast chiller freezer, 65mm pitch PNC 922648 ☐
- Banquet rack with wheels holding 23 plates for 10 GN 1/1 oven and blast chiller freezer, 85mm pitch PNC 922649 ☐
- Dehydration tray, GN 1/1, H=20mm PNC 922651 ☐
- Flat dehydration tray, GN 1/1 PNC 922652 ☐
- Open base for 6 & 10 GN 1/1 oven, disassembled - NO accessory can be fitted with the exception of 922382 PNC 922653 ☐
- Bakery/pastry rack kit for 10 GN 1/1 oven with 8 racks 400x600mm and 80mm pitch PNC 922656 ☐
- Stacking kit for 6&10 GN 1/1 oven placed on 7kg and 15kg crosswise blast chiller freezer PNC 922657 ☐
- Heat shield for stacked ovens 6 GN 1/1 on 10 GN 1/1 PNC 922661 ☐
- Heat shield for 10 GN 1/1 oven PNC 922663 ☐
- Fixed tray rack for 10 GN 1/1 and 400x600mm grids PNC 922685 ☐
- Kit to fix oven to the wall PNC 922687 ☐
- 4 high adjustable feet for 6 & 10 GN ovens, 100-130MM PNC 922688 ☐
- Tray support for 6 & 10 GN 1/1 oven base (not for the disassembled one) PNC 922690 ☐
- Reinforced tray rack with wheels, lowest support dedicated to a grease collection tray for 10 GN 1/1 oven, 64mm pitch PNC 922694 ☐
- Wifi board (NIU) PNC 922695 ☐
- Detergent tank holder for open base PNC 922699 ☐
- Bakery/pastry runners 400x600mm for 6 & 10 GN 1/1 oven base (not for the disassembled one) PNC 922702 ☐
- Wheels for stacked ovens PNC 922704 ☐
- Spit for lamb or suckling pig (up to 12kg) for GN 1/1 ovens PNC 922709 ☐
- Mesh grilling grid PNC 922713 ☐
- Probe holder for liquids PNC 922714 ☐
- Odourless hood with fan for 6 & 10 GN 1/1 electric ovens PNC 922718 ☐
- Odourless hood with fan for 6+6 or 6+10 GN 1/1 electric ovens PNC 922722 ☐
- Condensation hood with fan for 6 & 10 GN 1/1 electric oven PNC 922723 ☐
- Condensation hood with fan for stacking 6+6 or 6+10 GN 1/1 electric ovens PNC 922727 ☐
- Exhaust hood with fan for 6 & 10 GN 1/1 ovens PNC 922728 ☐
- Exhaust hood with fan for stacking 6+6 or 6+10 GN 1/1 ovens PNC 922732 ☐
- Exhaust hood without fan for 6&10 1/1GN ovens PNC 922733 ☐

- Exhaust hood without fan for stacking 6+6 or 6+10 GN 1/1 ovens PNC 922737
- Fixed tray rack, 8 GN 1/1, 85mm pitch PNC 922741
- Fixed tray rack, 8 GN 2/1, 85mm pitch PNC 922742
- 4 high adjustable feet for 6 & 10 GN ovens, 230-290mm PNC 922745
- Tray for traditional static cooking, H=100mm PNC 922746
- Double-face griddle, one side ribbed and one side smooth, 400x600mm PNC 922747
- Trolley for grease collection kit PNC 922752
- Non-stick universal pan, GN 1/1, H=20mm PNC 925000
- Non-stick universal pan, GN 1/1, H=40mm PNC 925001
- Non-stick universal pan, GN 1/1, H=60mm PNC 925002
- Double-face griddle, one side ribbed and one side smooth, GN 1/1 PNC 925003
- Aluminum grill, GN 1/1 PNC 925004
- Frying pan for 8 eggs, pancakes, hamburgers, GN 1/1 PNC 925005
- Flat baking tray with 2 edges, GN 1/1 PNC 925006
- Baking tray for 4 baguettes, GN 1/1 PNC 925007
- Potato baker for 28 potatoes, GN 1/1 PNC 925008
- Non-stick universal pan, GN 1/2, H=20mm PNC 925009
- Non-stick universal pan, GN 1/2, H=40mm PNC 925010
- Non-stick universal pan, GN 1/2, H=60mm PNC 925011
- Wood chips: oak, 450gr PNC 930209
- Wood chips: hickory, 450gr PNC 930210
- Wood chips: maple, 450gr PNC 930211
- Wood chips: cherry, 450gr PNC 930212
- Compatibility kit for installation on previous base GN 1/1 PNC 930217

Front



Side



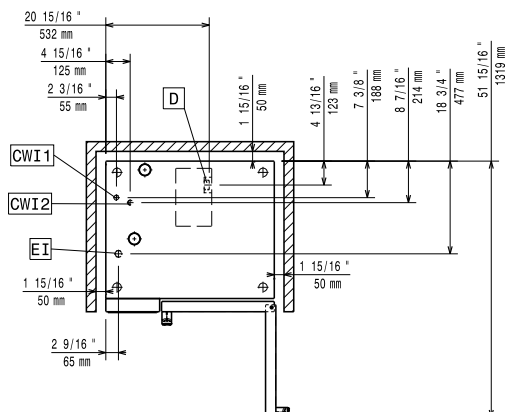
CWI1 = Cold Water inlet 1 **EI** = Electrical inlet (power)

CWI2 = Cold Water Inlet 2

D = Drain

DO = Overflow drain pipe

Top



Electric

Supply voltage:

218912 (ZCOE101C2C0)	220-240 V/3 ph/50-60 Hz
218922 (ZCOE101C2A0)	380-415 V/3N ph/50-60 Hz

Electrical power, default:

19 kW

Circuit breaker required

Water:

Water inlet connections "CWI1-CWI2":

3/4"

Pressure, bar min/max:

1-4.5 bar

Drain "D":

50mm

Max inlet water supply temperature:

30 °C

Chlorides:

<10 ppm

Conductivity:

>285 µS/cm

Electrolux recommends the use of treated water, based on testing of specific water conditions.

Please refer to user manual for detailed water quality information.

Installation:

Clearance:

Clearance: 5 cm rear and right hand sides.

Suggested clearance for service access:

50 cm left hand side.

Capacity:

Trays type:

10 - 1/1 Gastronorm

Max load capacity:

50 kg

Key Information:

Door hinges:

Right Side

External dimensions, Width:

867 mm

External dimensions, Height:

1058 mm

External dimensions, Depth:

775 mm

Weight:

134.3 kg

Net weight:

134.3 kg

Shipping weight:

159.3 kg

Shipping volume:

1.04 m³