

RANGE COMPOSITION

EVO700: range comprised of over 100 models designed to guarantee the highest level of performance, reliability, energy saving, safety standards and ergonomic operation. These concepts are reflected throughout the line in its modularity, construction and numerous configurations. Thanks to its advance technology and premium performance, the EVO700 is a perfect solution for institutions with a limited footprint as well as restaurants needing to obtain the most from the kitchen space. The models detailed in this sheet are 2, 4 and 6 burners gas boiling tops.



372004

EVO700

2/4/6 BURNER GAS BOILING TOPS

ZANUSSI
PROFESSIONAL

FUNCTIONAL AND CONSTRUCTION FEATURES

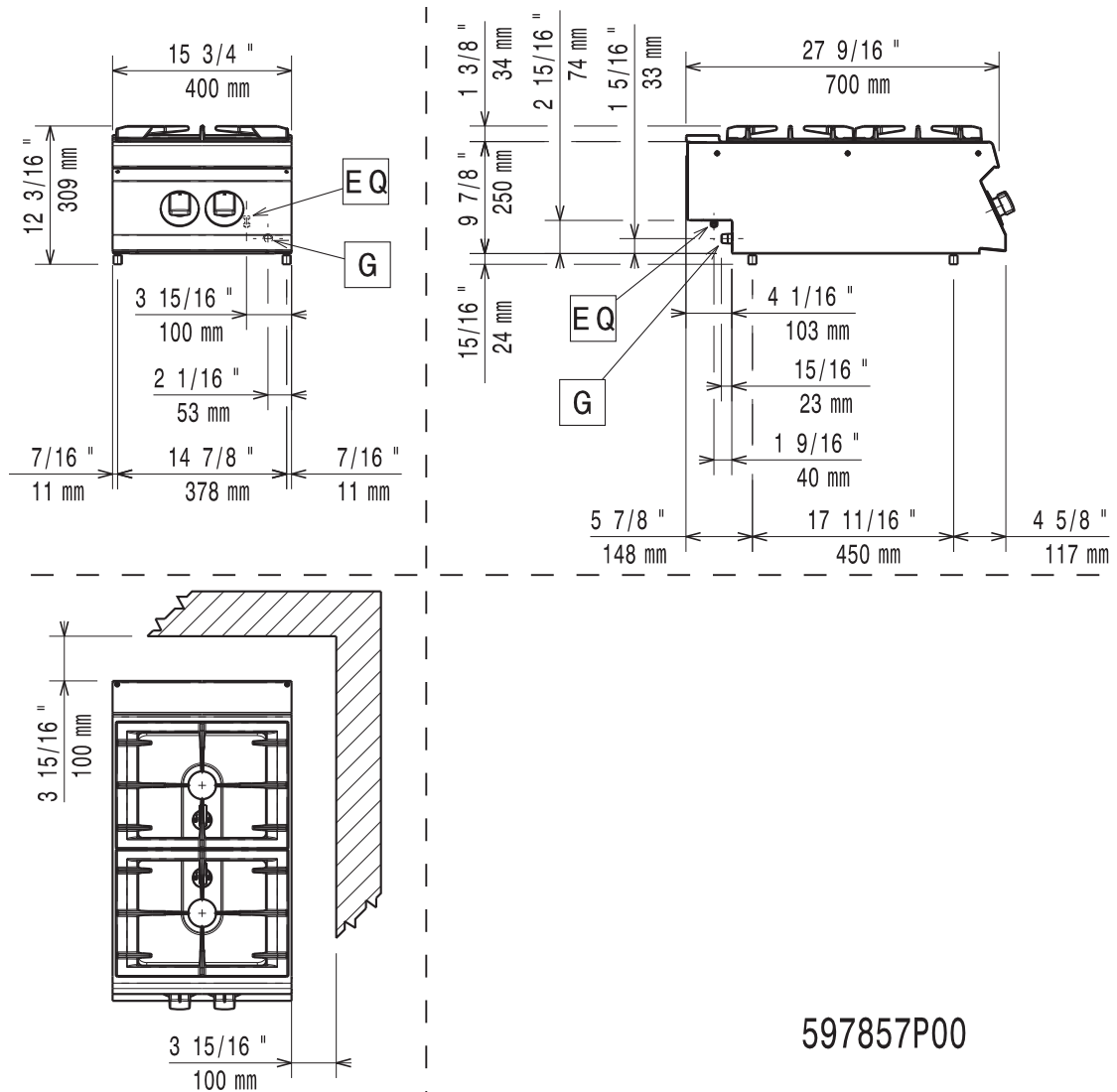
- ◆ Burners:
 - 5,5 kW (with continuous flame regulation from 1,1kW to 5,5kW)
 - Flame failure device to protect against accidental extinguishing of the flame.
 - Protected pilot light.
- ◆ All models have right-angled side edges to allow flush-fitting joins between units.
- ◆ IPX4 water protection.
- ◆ Main connections can be via the rear of the unit.
- ◆ All models can be easily mounted on open base cupboards or bridging supports.
- ◆ All top models provided with service duct to facilitate installation.
- ◆ All gas appliances are supplied for use with natural gas, LPG or town gas. Conversion jets supplied as standard.

| TECHNICAL DATA | | | |
|------------------------------|----------------------|----------------------|----------------------|
| CHARACTERISTICS | MODELS | | |
| | Z7GCGD2C00 372000 | Z7GCGH4C00 372001 | Z7GCGL6C00 372004 |
| Power supply | Gas | Gas | Gas |
| External dimensions - mm | | | |
| width | 400 | 800 | 1200 |
| depth | 700 | 700 | 700 |
| height | 250 | 250 | 250 |
| Back burner dimensions - mm | Ø 60 | Ø 60, Ø 60 | Ø 60, Ø 60, Ø 60 |
| Back burners power - kW | 5.5 | 5.5, 5.5 | 5.5, 5.5, 5.5 |
| Front burners dimension - mm | Ø 60 | Ø 60, Ø 60 | Ø 60, Ø 60, Ø 60 |
| Front burners power - kW | 5.5 | 5.5, 5.5 | 5.5, 5.5, 5.5 |
| Power - kW | | | |
| gas | 11 | 22 | 33 |
| Net weight - kg. | 20 | 38 | 55 |

| OPTIONAL ACCESSORIES | | | |
|--|----------------------|----------------------|----------------------|
| ACCESSORIES | MODELS | | |
| | Z7GCGD2C00 372000 | Z7GCGH4C00 372001 | Z7GCGL6C00 372004 |
| 2 SIDE COVERING PANELS H=250-D=700-Z/OEM | 206320 | 206320 | 206320 |
| 4 WHEELS (2 WITH BRAKE) | | | 206188 |
| CHIMNEY UPSTAND 1200MM | | | 206306 |
| CHIMNEY UPSTAND 400MM | 206303 | | |
| CHIMNEY UPSTAND 800MM | | 206304 | |
| DOUBLE BURNER RIBBED PLATE - 700 LINE | 921685 | 921685 | 921685 |
| DOUBLE BURNER SMOOTH PLATE - 700 LINE | 921684 | 921684 | 921684 |
| DRAUGHT DIVERTER WITH 120 MM DIAMETER | 206126 | | |
| DRAUGHT DIVERTER WITH 150 MM DIAMETER | | 206132 | |
| FLUE CONDENSER FOR 1 MODULE DIAM.150MM | | 206246 | |
| FLUE CONDENSER FOR 1/2 MOD. DIAM.120MM | 206310 | | |
| FRONTAL HANDRAIL 1200 MM | 206191 | 206191 | 206191 |
| FRONTAL HANDRAIL 1600 MM | 206192 | 206192 | 206192 |
| FRONTAL HANDRAIL 400 MM | 206166 | 206166 | 206166 |
| FRONTAL HANDRAIL 800 MM | 206167 | 206167 | 206167 |
| LARGE HANDRAIL(PORTIONING SHELF)400 MM | 206185 | 206185 | 206185 |
| LARGE HANDRAIL(PORTIONING SHELF)800 MM | 206186 | 206186 | 206186 |
| MATCHING RING FOR FLUE CONDENSER 150DIAM | | 206133 | |
| MATCHING RING-FLUE CONDENSER 120-130DIAM | 206127 | | |
| PRESSURE REGULATOR FOR GAS UNITS | 927225 | 927225 | 927225 |
| S/S GRID FOR DOUBLE BURNER-700 LINE | 206297 | 206297 | 206297 |
| SIDE HANDRAIL-RIGHT/LEFT SIDE-700 LINE | 206240 | 206240 | 206240 |
| SINGLE BURNER RADIANT PLATE - 700 LINE | 206264 | 206264 | 206264 |
| SINGLE BURNER RIBBED PLATE - 700 LINE | 206261 | 206261 | 206261 |
| SINGLE BURNER SMOOTH PLATE - 700 LINE | 206260 | 206260 | 206260 |
| SUPPORT FOR "BRIDGE" SYSTEM 1000 MM | 206138 | 206138 | |
| SUPPORT FOR "BRIDGE" SYSTEM 1200 MM | 206139 | 206139 | 206139 |
| SUPPORT FOR "BRIDGE" SYSTEM 1400 MM | 206140 | 206140 | 206140 |
| SUPPORT FOR "BRIDGE" SYSTEM 1600 MM | 206141 | 206141 | 206141 |
| SUPPORT FOR "BRIDGE" SYSTEM 400 MM | 206154 | | |
| SUPPORT FOR "BRIDGE" SYSTEM 800 MM | 206137 | 206137 | |
| WATER COLUMN EXTENSION FOR 700 LINE | 206291 | 206291 | 206291 |
| WATER COLUMN WITH SWIVEL ARM | 206289 | 206289 | 206289 |



www.zanussiprofessional.com



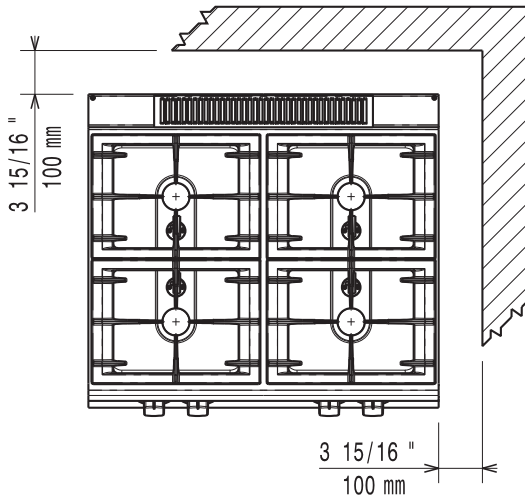
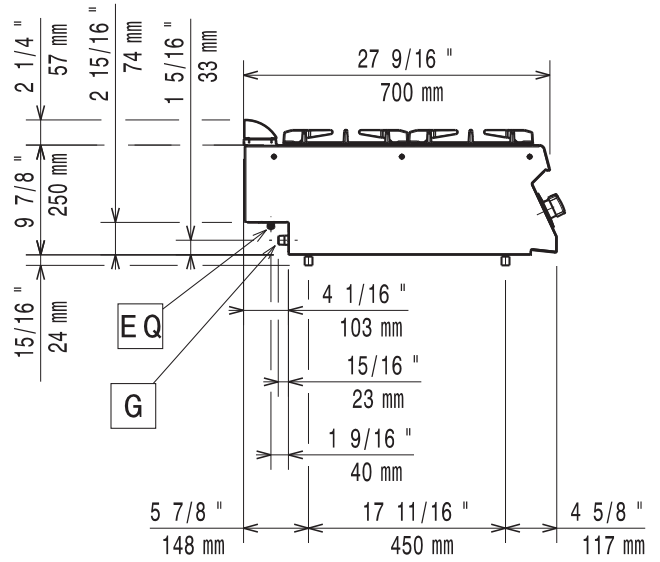
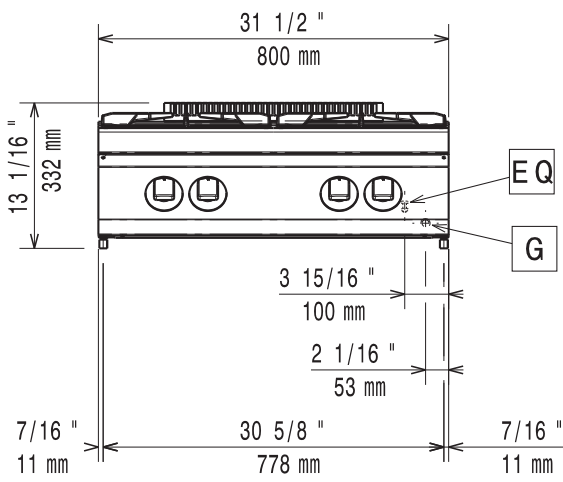
597857P00

LEGEND

| | |
|--------------------|----------------------|
| | Z7GCGD2C00 372000 |
| G - Gas connection | 1/2" |



www.zanussiprofessional.com



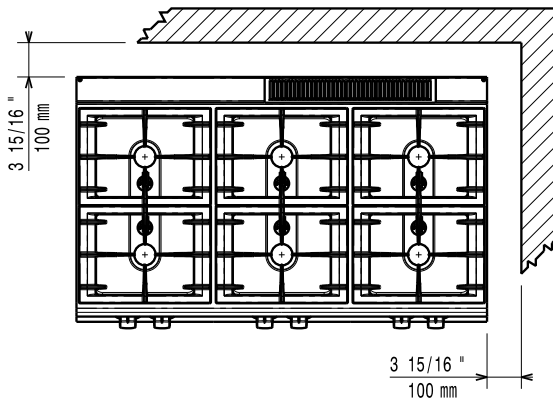
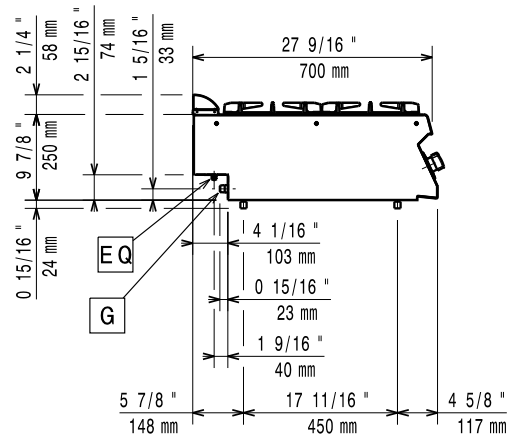
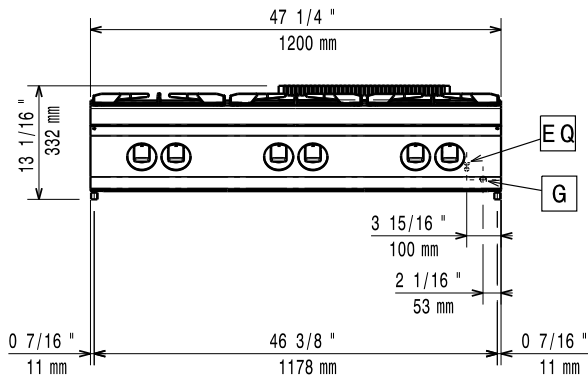
597857Q00

LEGEND

| | |
|--------------------|----------------------|
| | Z7GCGH4C00 372001 |
| G - Gas connection | 1/2" |



www.zanussiprofessional.com



597857R00

LEGEND

G - Gas connection

Z7GCGL6C00

372004

1/2"



www.zanussiprofessional.com